

CIRCLE 100

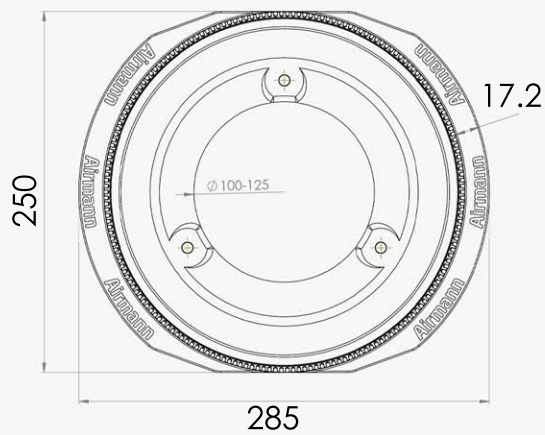
CIRCLE 125

Frameless diffuser

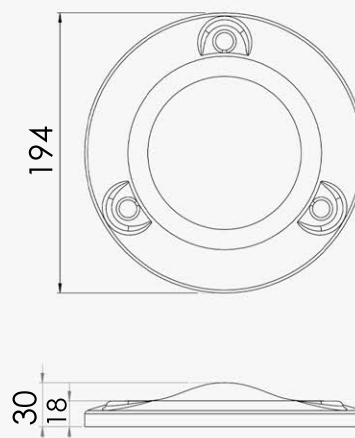


DIMENSIONS [mm]

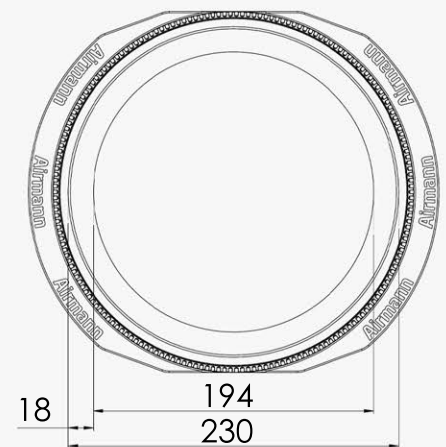
Base



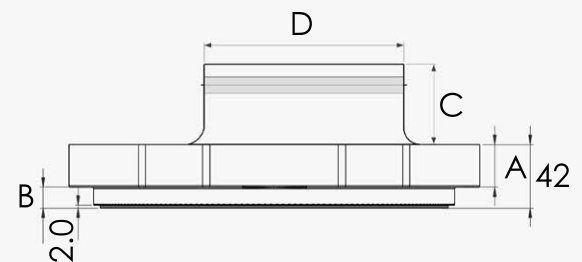
Cover cap



Assembly



Product code	A	B	C	D	Weight, kg [±5 g]
<i>For the single layer of plasterboard</i>					
CIRCLE-1-100	27.5	12.5	60	100	2.80
CIRCLE-1-125	27.5	12.5	50	125	2.80
<i>For the double layer of plasterboard</i>					
CIRCLE-2-100	15.0	25	60	100	2.65
CIRCLE-2-125	15.0	25	50	125	2.65



TYPE: a plastered-in air diffuser for ceilings and walls
FUNCTION: air supply / extract for various HVAC systems
MATERIALS: natural gypsum / ceramics composite, metal, other
INSTALLATION: single/double plasterboard (drywall), brick/concrete walls

CONNECTION: $\varnothing 100, 125$ mm
PACKAGING: 286 x 252 x 119 mm (Carton box)